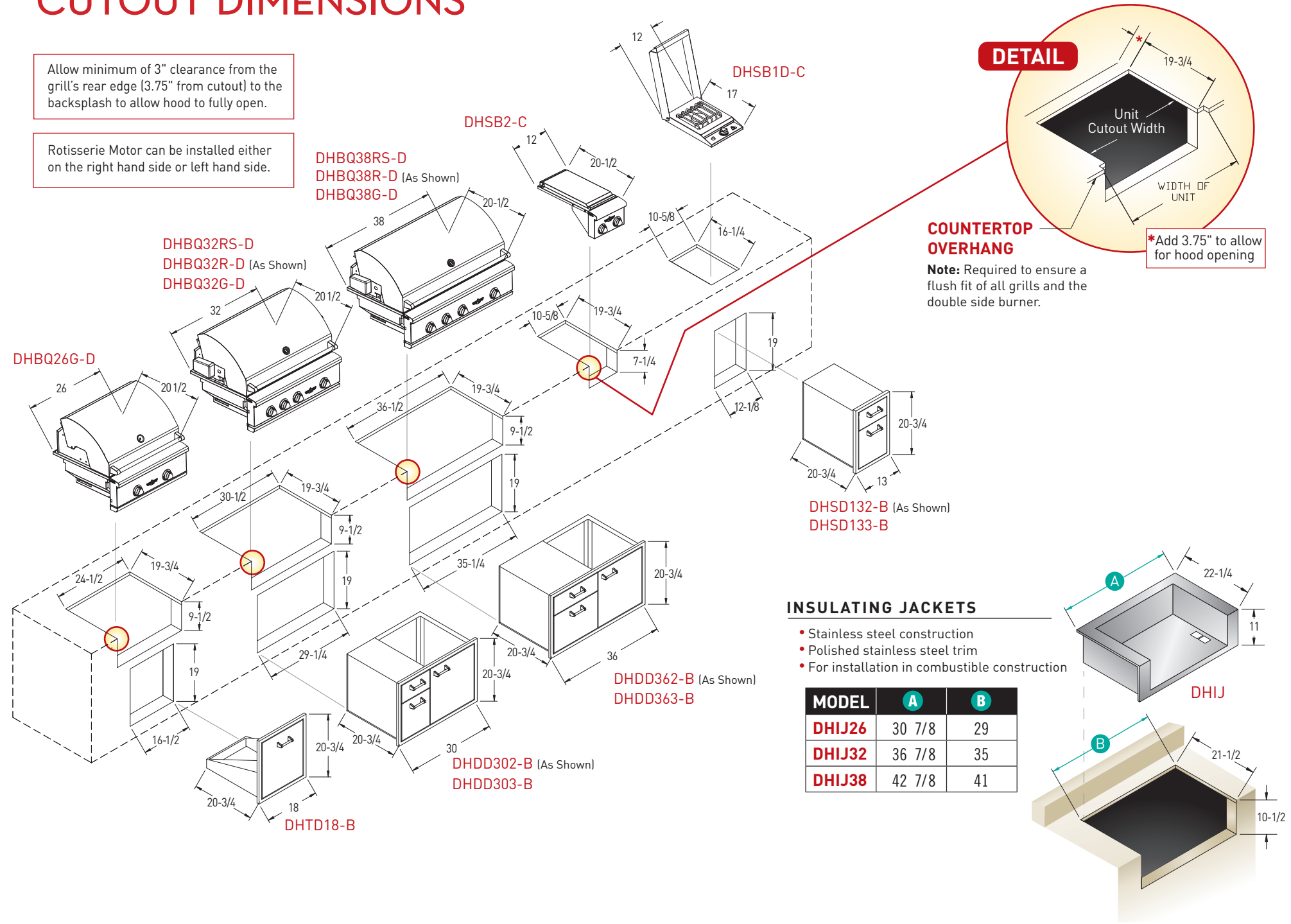


CUTOUT DIMENSIONS

Allow minimum of 3" clearance from the grill's rear edge (3.75" from cutout) to the backsplash to allow hood to fully open.

Rotisserie Motor can be installed either on the right hand side or left hand side.

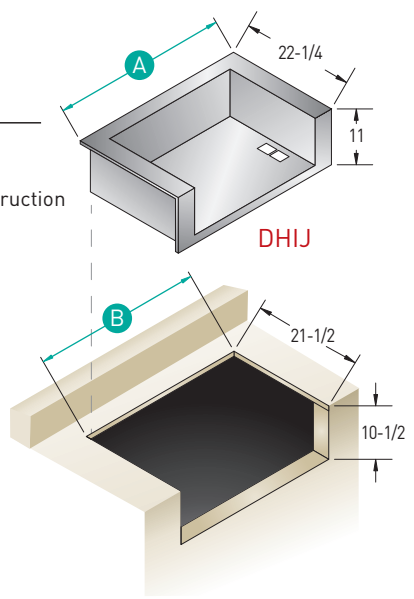


COUNTERTOP OVERHANG
 Note: Required to ensure a flush fit of all grills and the double side burner.
 *Add 3.75" to allow for hood opening

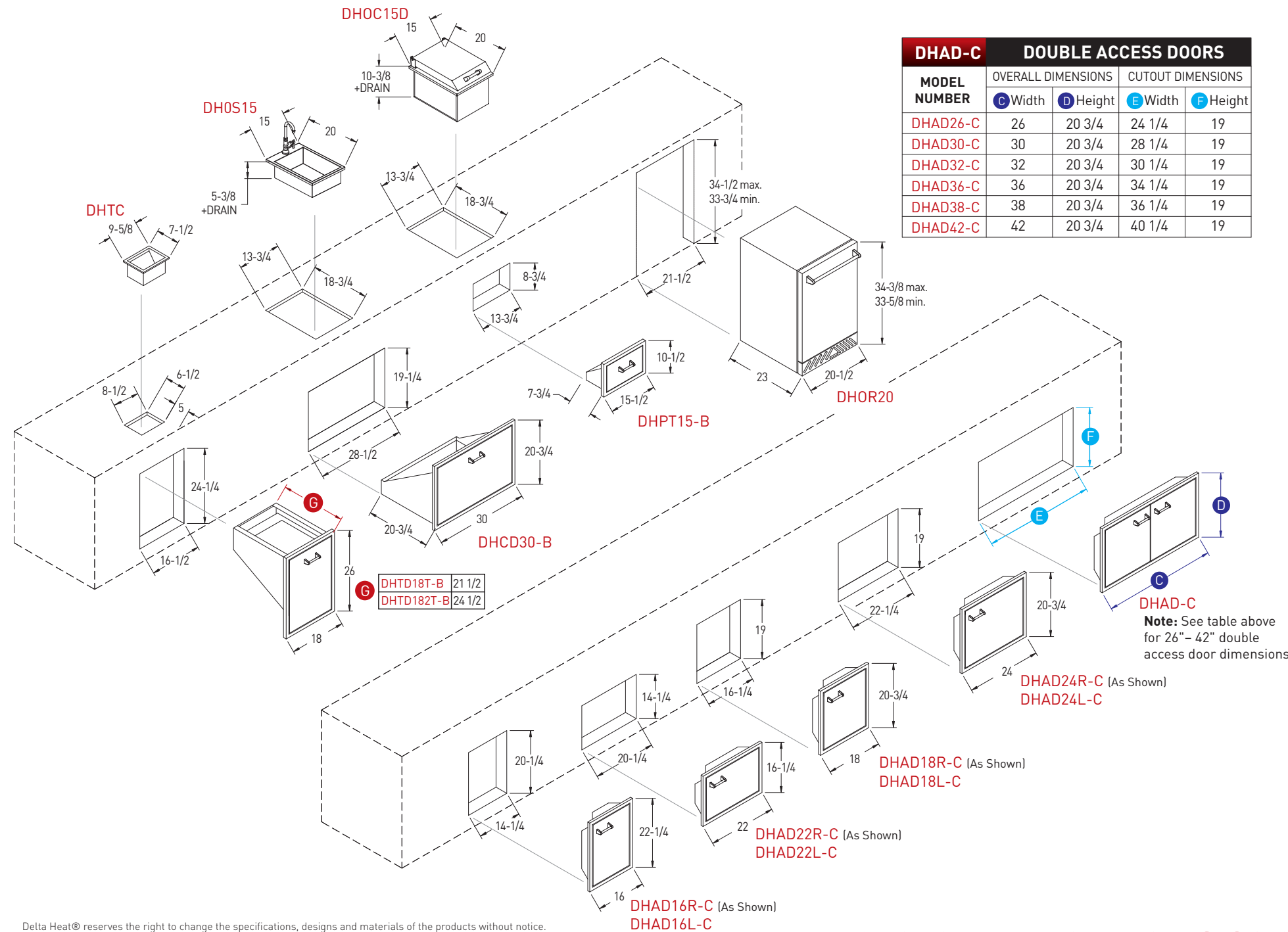
INSULATING JACKETS

- Stainless steel construction
- Polished stainless steel trim
- For installation in combustible construction

MODEL	A	B
DHIJ26	30 7/8	29
DHIJ32	36 7/8	35
DHIJ38	42 7/8	41



MODEL NUMBER	OVERALL DIMENSIONS		CUTOUT DIMENSIONS	
	C Width	D Height	E Width	F Height
DHAD26-C	26	20 3/4	24 1/4	19
DHAD30-C	30	20 3/4	28 1/4	19
DHAD32-C	32	20 3/4	30 1/4	19
DHAD36-C	36	20 3/4	34 1/4	19
DHAD38-C	38	20 3/4	36 1/4	19
DHAD42-C	42	20 3/4	40 1/4	19



Note: See table above for 26" - 42" double access door dimensions.

Delta Heat® reserves the right to change the specifications, designs and materials of the products without notice. Please verify the specifications prior to finalizing your enclosures.

WWW.DELTAHEAT.COM